

DAFTAR PUSTAKA

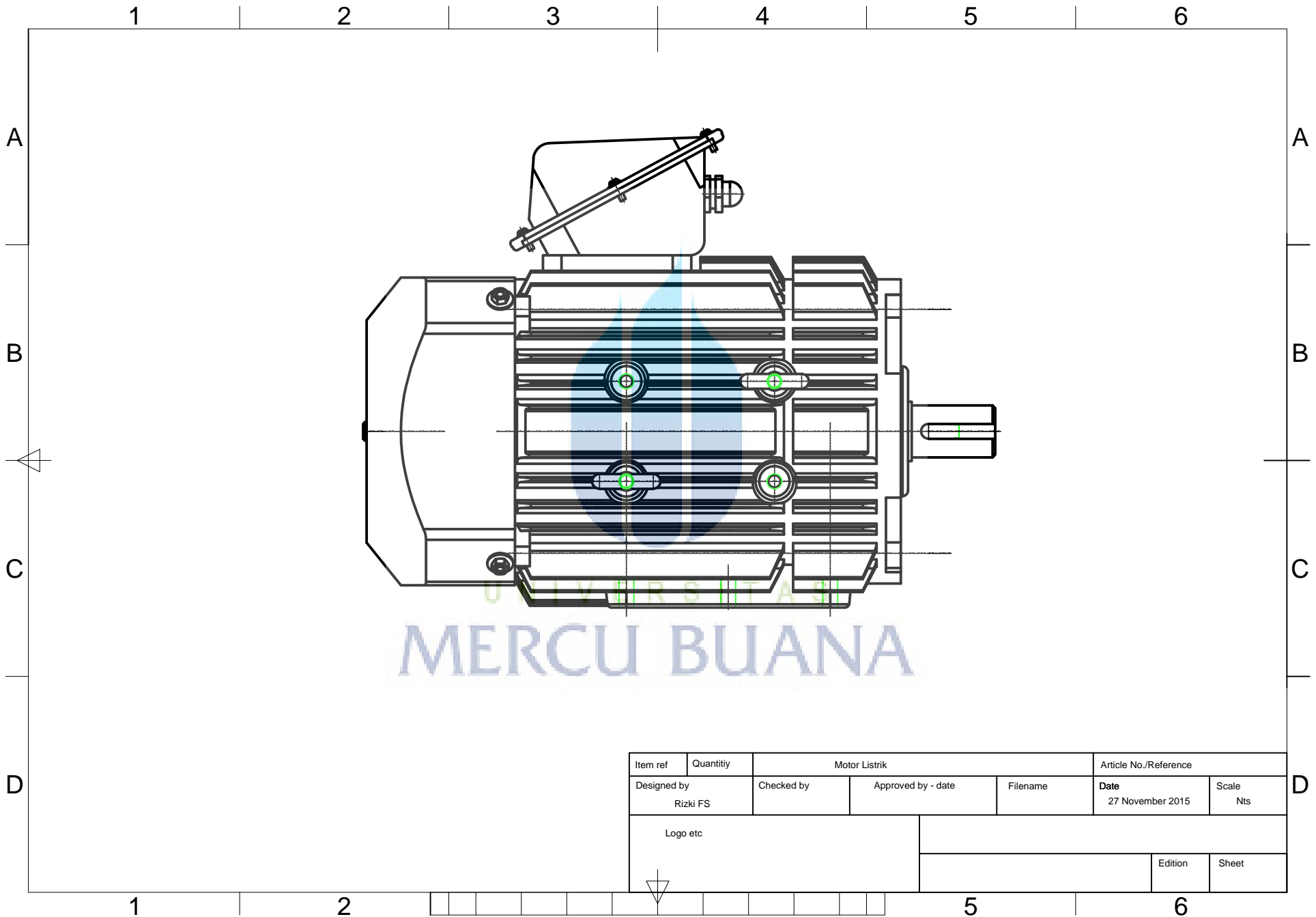
1. Ir.Astu Pudjanarsa, MT dan Prof.Ir. Djati Nursuhud. MSME (2006-2008) Mesin Konversi Energi (Edisi Revisi)
2. Sudira, Tata. Pengetahuan Bahan Teknik/oleh Tata Sudira, Shinroku Saito, Cet.6. Jakarta: Pradnya Paramita, 2005
3. Ir. Dadang S Permana Msi, Modul Audit Energi Bahan ajar UMB, 2015

SUMBER LAIN :

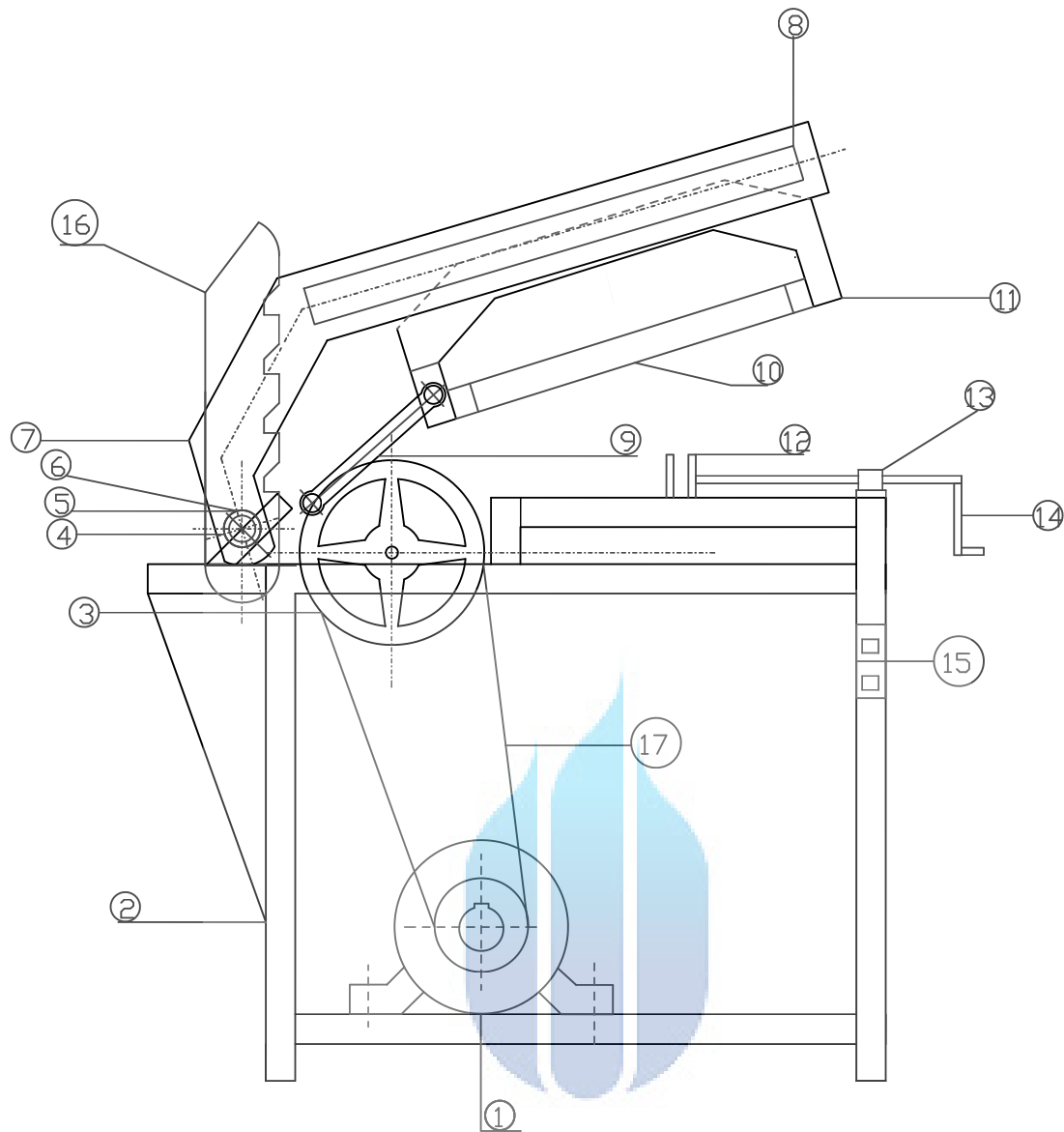
1. direktorilistrik.blogspot.com
2. Pengertianpakar.com
3. Elecengwolrd1.blogspot.com
4. Mechanical.engg.com



UNIVERSITAS
MERCU BUANA

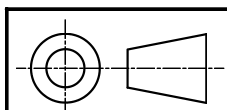


Item ref	Quantity	Motor Listrik			Article No./Reference	
Designed by Rizki FS	Checked by	Approved by - date	Filename	Date 27 November 2015	Scale Nts	
Logo etc						
				Edition	Sheet	



UNIVERSITAS
MERCU BUANA

1. Motor Listrik 1 HP
2. Frame
3. Pulley
4. Pillow Block
5. Gear
6. Poros
7. Frame
8. Linear Guide
9. Connecting Rod
10. Blade
11. Saw Frame
12. Ragum
13. Pillow Block
14. Gagang Ragum
15. Tombol ON/OFF
16. Penyangah Saw Frame
17. Belt



SKALA : 1:10

SATUAN : MM

TANGGAL :

DIGAMBAR : RIZKI FAJAR SUBKI

No. Reg : 41313110045

DI LIHAT

PERINGATAN :

ASSEMBLY HACKSAW MACHINE

Tugas Akhir

A4